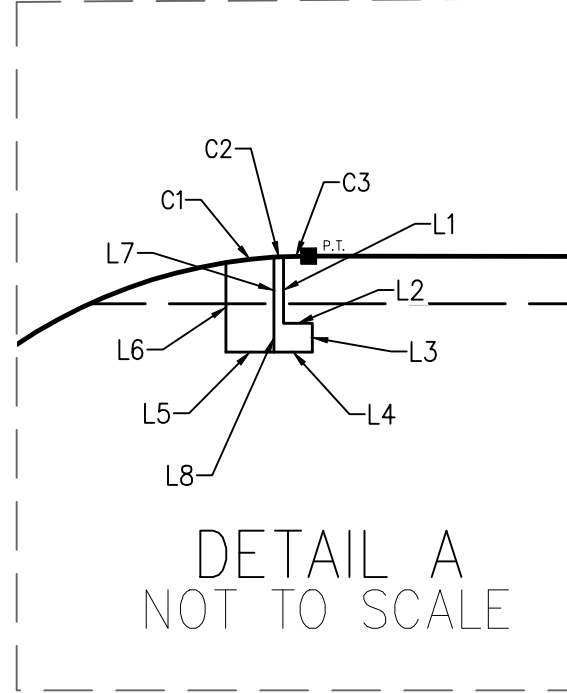
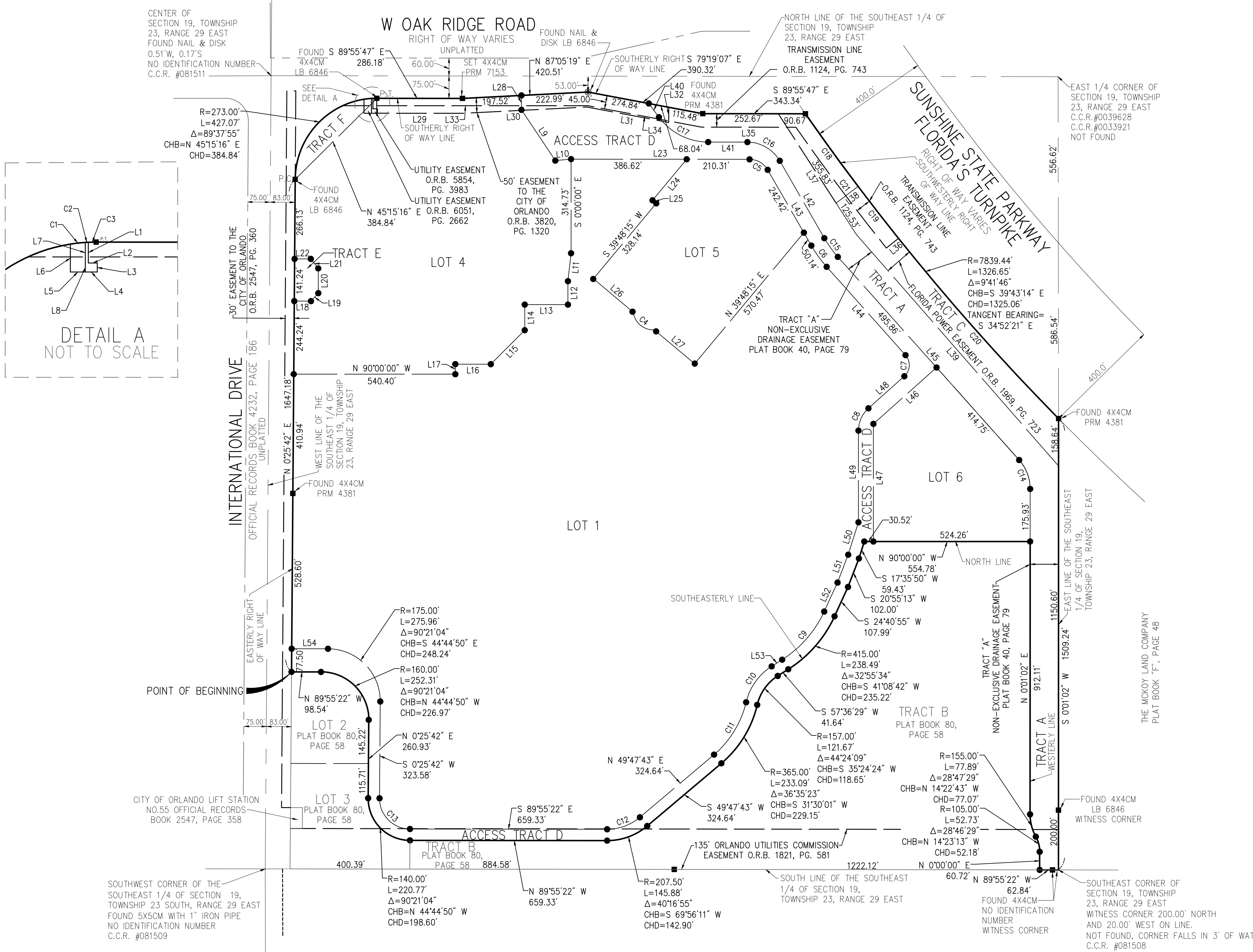


# ARTEGON

A REPLAT OF LOT 1 AND TRACT A, FESTIVAL BAY REPLAT, PLAT BOOK 80, PAGE 58, PUBLIC RECORDS OF ORANGE COUNTY, FLORIDA. LYING IN SECTION 19, TOWNSHIP 23 SOUTH, RANGE 29 EAST CITY OF ORLANDO, ORANGE COUNTY, FLORIDA

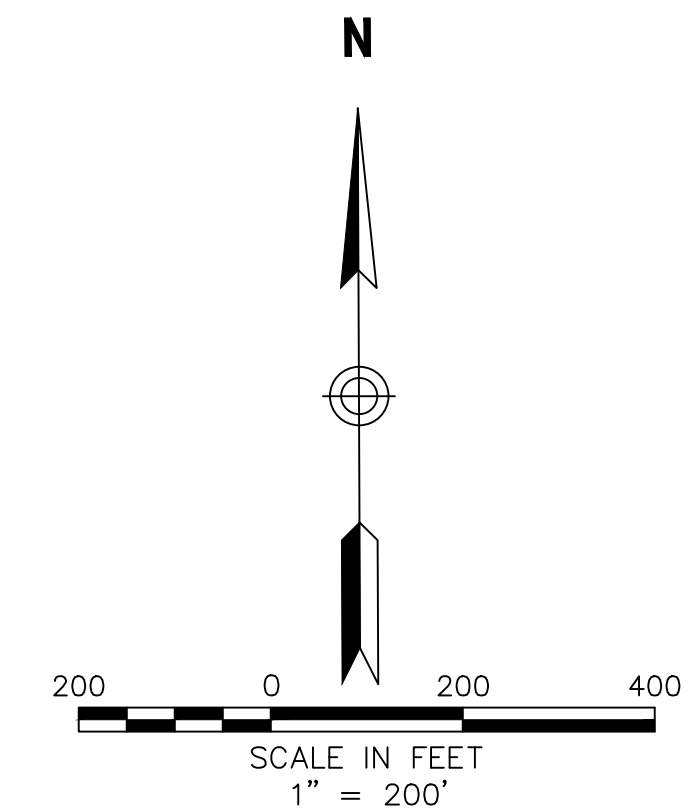


Parcel Line Data			Parcel Line Data		
Segment	Direction	Length	Segment	Direction	Length
L1	S0° 00' 00"	34.69	L28	S0° 00' 00"	48.29
L2	N90° 00' 00"	15.00	L29	S89° 55' 47"	287.48
L3	S0° 00' 00"	15.00	L30	N87° 05' 19"	415.86
L4	N90° 00' 00"	20.00	L31	S79° 19' 07"	278.20
L5	N90° 00' 00"	25.00	L32	N0° 40' 09"	50.77
L6	N0° 00' 00"	46.61	L33	N90° 00' 00"	820.39
L7	N0° 00' 00"	34.41	L34	N79° 19' 07"	385.83
L8	N0° 00' 00"	15.00	L35	N89° 55' 47"	315.55
L9	S33° 42' 56"	203.90	L36	S51° 19' 31"	52.00
L10	N84° 48' 43"	52.98	L37	S32° 54' 31"	481.36
L11	S6° 25' 39"	93.91	L38	S52° 49' 00"	92.34
L12	S0° 00' 00"	78.36	L39	S41° 08' 04"	1027.43
L13	N90° 00' 00"	144.46	L40	N36° 23' 27"	56.87
L14	S0° 00' 00"	85.68	L41	N89° 55' 47"	131.28
L15	S45° 00' 00"	160.50	L42	S29° 57' 04"	298.49
L16	N90° 00' 00"	118.72	L43	N29° 57' 04"	292.56
L17	S0° 00' 00"	33.61	L44	N41° 45' 29"	395.87
L18	N90° 00' 00"	55.79	L45	N41° 45' 29"	910.61
L19	N42° 40' 40"	36.38	L46	N48° 14' 31"	283.20
L20	N0° 11' 53"	82.78	L47	N0° 00' 00"	393.31
L21	N38° 00' 39"	40.25	L48	N48° 14' 31"	160.82
L22	N90° 00' 00"	54.32	L49	N0° 00' 00"	306.65
L23	N89° 55' 47"	596.93	L50	N17° 35' 50"	113.70
L24	S39° 48' 15"	178.57	L51	N20° 55' 13"	99.65
L25	S50° 11' 45"	16.14	L52	N24° 40' 55"	106.74
L26	S50° 01' 11"	174.00	L53	N57° 36' 29"	41.64
L27	S50° 01' 11"	176.39	L54	S89° 55' 22"	121.45

Parcel Curve Data					
NUMBER	RADIUS	LENGTH	DELTA	CHORD	CHORD BEARING
C1	273.00	25.16	516°53'	25.16	S83° 37' 49"W
C2	273.00	5.01	1°03'04"	5.01	S86° 47' 47"W
C3	273.00	13.09	2°44'54"	13.09	S88° 41' 46"W
C4	67.17	100.82	86°00'00"	91.62	S00° 01' 11"E
C5	70.00	73.28	59°58'43"	69.98	N59° 56' 25"W
C6	425.00	87.58	11°48'25"	87.43	N35° 51' 16"W
C7	50.00	78.54	90°00'00"	70.71	N3° 14' 31"E
C8	100.00	84.20	48°14'31"	81.73	N24° 07' 15"E
C9	377.00	216.65	32°55'34"	213.68	N41° 08' 42"E
C10	195.00	151.12	44°24'09"	147.37	N35° 24' 24"E
C11	327.00	208.83	36°35'23"	205.30	N31° 30' 01"E
C12	169.50	119.17	40°16'55"	116.73	N69° 56' 11"E
C13	102.00	160.85	90°21'04"	144.69	S44° 44' 50"E
C14	145.00	105.72	41°46'31"	103.40	N20° 52' 13"W
C15	375.00	77.28	11°48'25"	77.14	N35° 51' 16"W
C16	125.00	130.85	59°58'44"	124.96	N59° 56' 25"W
C17	205.00	191.44	53°30'20"	184.56	N63° 10' 37"W
C18	7835.72	300.04	2°11'38"	300.02	S35° 58' 09"E
C19	7839.44	220.16	1°36'33"	220.15	N37° 52' 12"W
C20	7839.44	806.46	5°53'39"	806.10	N41° 37' 17"W
C21	7891.44	505.07	3°40'01"	504.98	N36° 50' 28"W

- Legend and Abbreviations**
- = SET CM 4" x 4" PRM - PRM LB 7153' UNLESS OTHERWISE NOTED
  - = PERMANENT CONTROL POINT, SET NAIL/DISK "PCP LB 7153" UNLESS OTHERWISE NOTED
  - = SET 5/8" IRON ROD WITH CAP "LB 7153" UNLESS NOTED
  - CM = CONCRETE MONUMENT
  - PRM = PERMANENT REFERENCE MONUMENT
  - LB = LICENSED BUSINESS
  - R = RADIUS
  - L = ARC LENGTH
  - Δ = CENTRAL ANGLE
  - CHB = CHORD BEARING
  - CHD = CHORD DISTANCE
  - P.C. = POINT OF CURVATURE
  - P.T. = POINT OF TANGENCY
  - C.C.R. = CERTIFIED CORNER RECORD
  - O.R.B. = OFFICIAL RECORDS BOOK
  - PG. = PAGE

"NOTICE": THIS PLAT AS RECORDED IN ITS GRAPHIC FORM, IS THE OFFICIAL DEPICTION OF THE SUBDIVIDED LANDS DESCRIBED HEREIN AND WILL IN NO CIRCUMSTANCES BE SUPPLANTED IN AUTHORITY BY ANY OTHER GRAPHIC OR DIGITAL FORM OF THE PLAT. THERE MAY BE ADDITIONAL RESTRICTIONS THAT ARE NOT RECORDED ON THIS PLAT THAT MAY BE FOUND IN THE PUBLIC RECORDS OF THIS COUNTY.



**Vanasse Hangen Brustlin, Inc.**  
 225 East Robinson Street  
 Suite 300  
 Orlando, Florida 32801  
 407 839-4006 • FAX 407 839-4008  
 LB 7153